

Seeed Studio XIAO Series Package and PCB Design

The Seeed Studio XIAO series of miniature development boards have a unique through-hole/surface mount design that allows them to be used as a typical development board for breadboard prototyping for example or modules suitable for batch SMT assembly thanks to the hybrid thruhole-castellated hole pad design and single-sided assembly. This, along with the tiny form factor, integrated USB type-C port, low-power consumption and low cost make these boards ideal for wearable projects, distributed IoT applications and in other space-constrained, low-power situations.

Find out more about the ever-expanding family of Seeed Studio XIAO modules at [Seeedstudio.com](https://www.seeedstudio.com).

Seeed Studio XIAO series Eagle and KiCad symbol and footprints libraries are available for download via GitHub. Download them now:

[Autodesk Eagle](#) or via Online Managed Libraries

[KiCad](#)

We have done our best to maintain the accuracy of our libraries but mistakes happen and we like to think that anything can be improved. If you have any feedback or suggestions please get in touch with us at fusion@seeed.io.

This document and libraries are brought to you by:

Seeed Fusion Service

[Seeed Fusion Turnkey PCB Assembly service](#) can cater to your PCB assembly needs. From parts procurement, PCB manufacture to assembly, Seeed Fusion has the expertise and supply chain connections to ensure the success of your project. Whether you need parts from Digikey, Mouser or cheaper Asian alternatives, high PCB layer counts, exotic substrates or low MOQs, Seeed's flexible and agile manufacturing capabilities can cater to all needs.

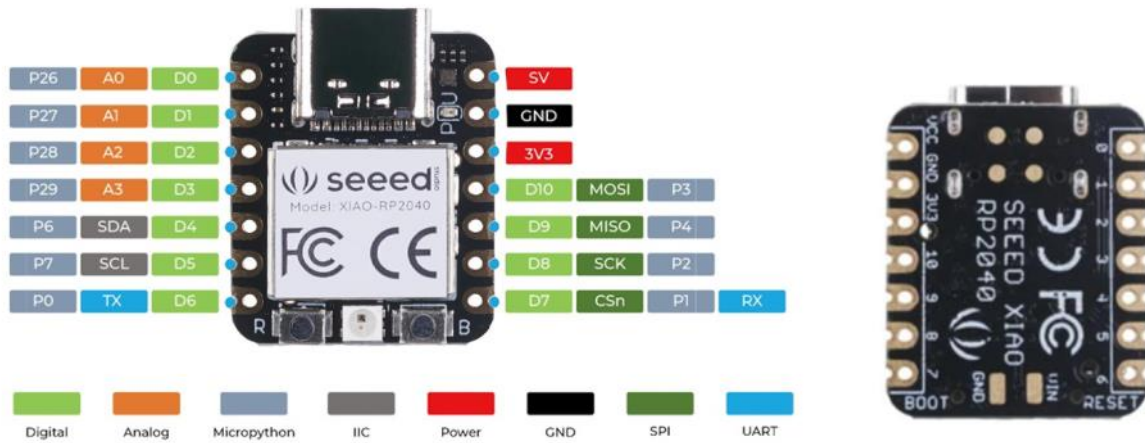
Now all PCBA orders include Design for Assembly (DFA) review and PCB Design for Manufacture (DFM) review absolutely free. Try our [smart online quotation platform](#) and get a complete quotation in seconds.

[Seeed Fusion Homepage](#)

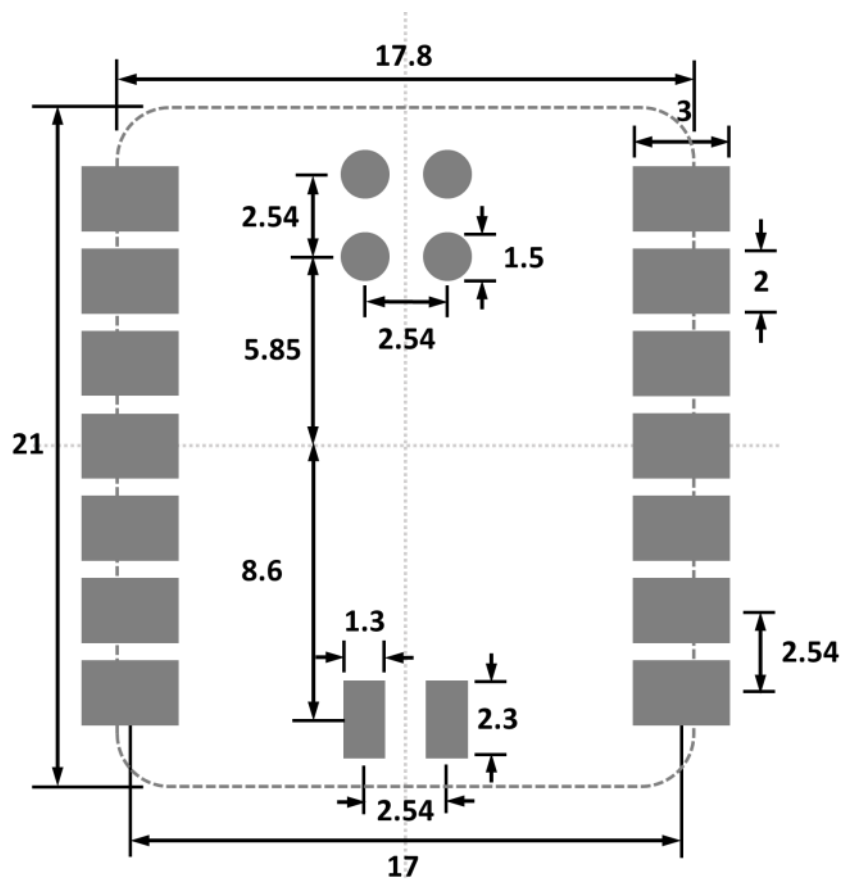
2022/08/18

Seed Studio XIAO RP2040

Seed SKU: 102010428



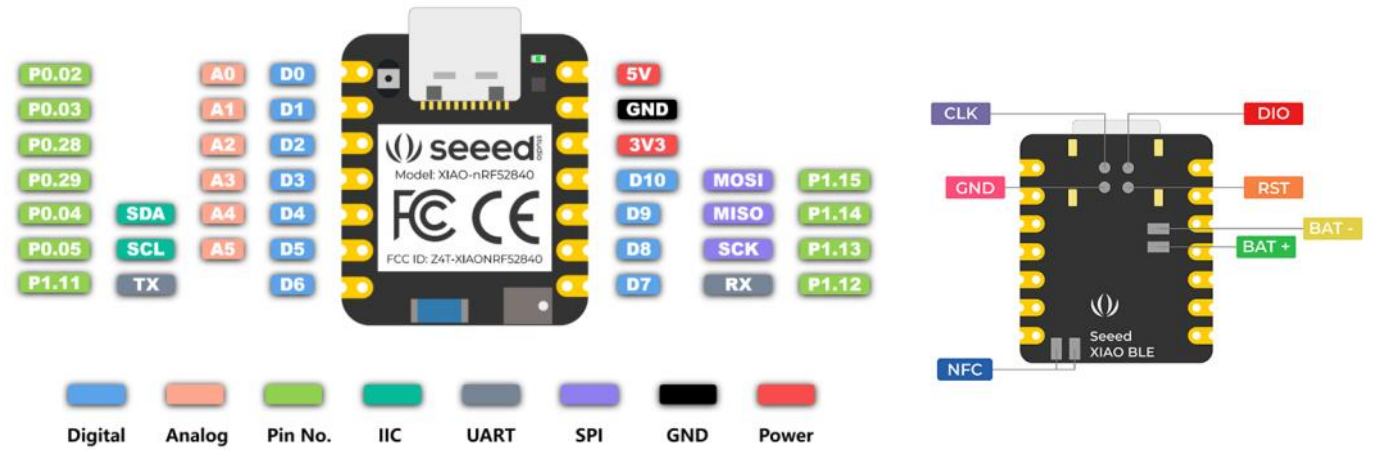
Recommended PCB land pattern



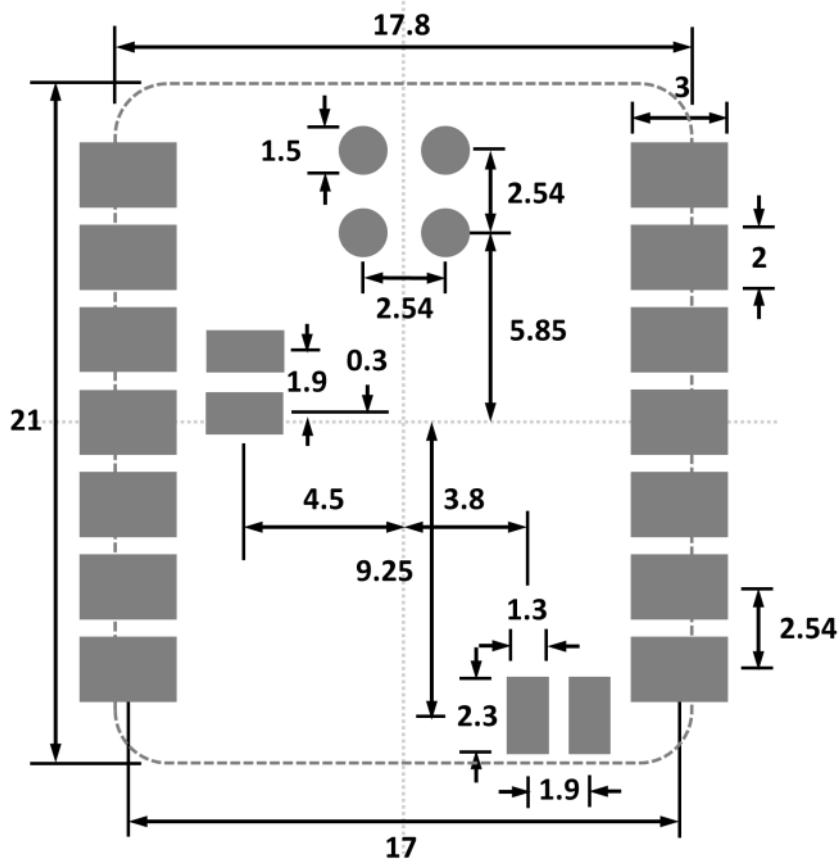
Dimensions in mm

Seed Studio XIAO nRF52840 (previously named Seed XIAO BLE)

Seed SKU: 102010448



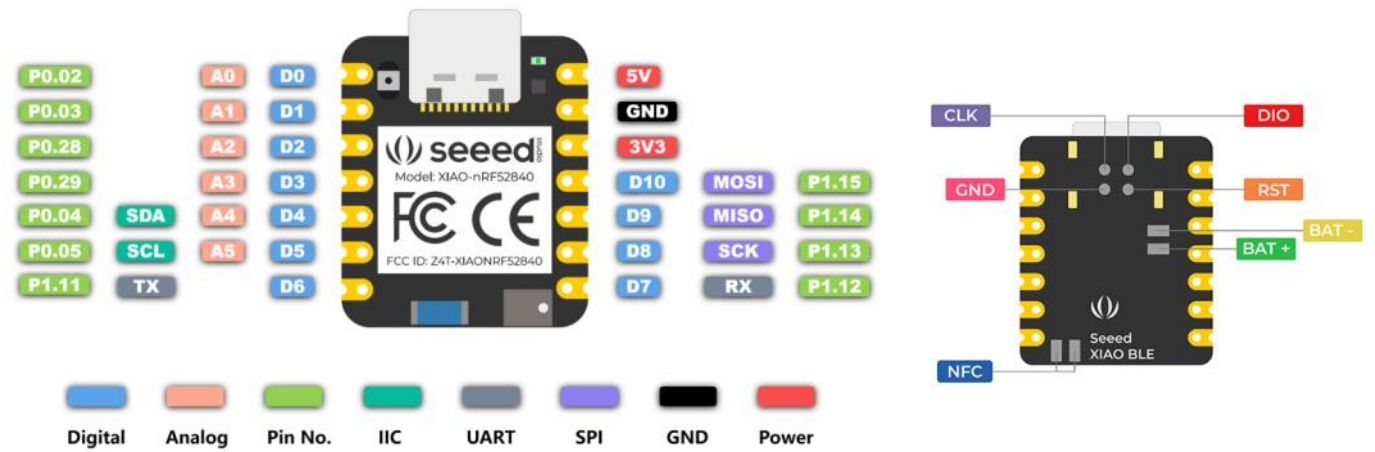
Recommended PCB land pattern



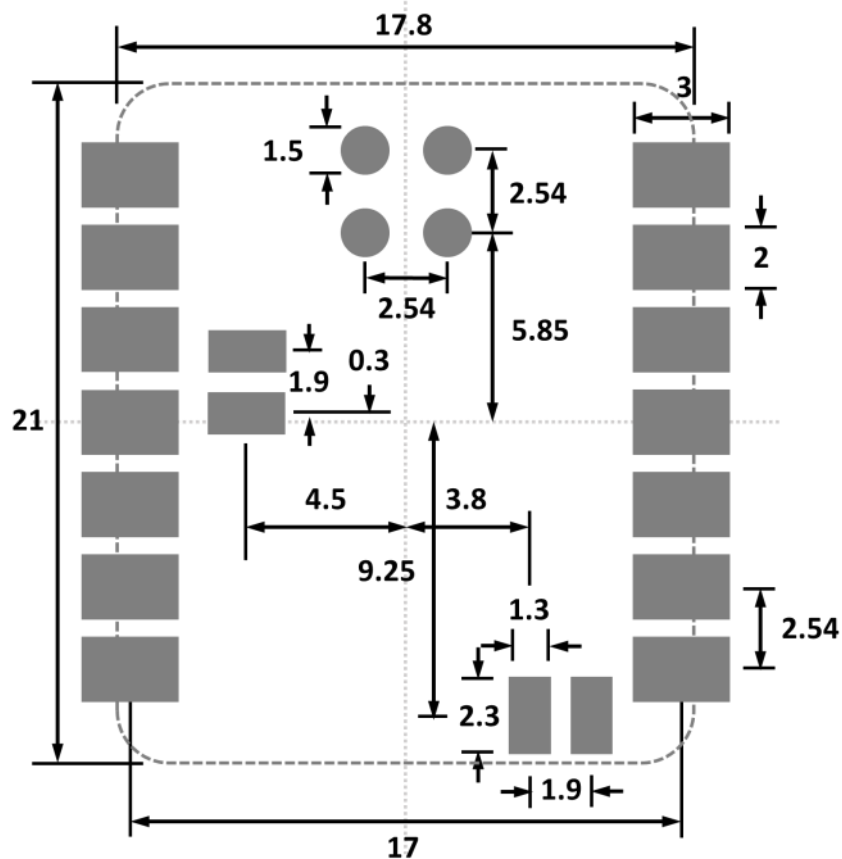
Dimensions in mm

Seed Studio XIAO nRF52840 Sense (previously named Seed XIAO BLE Sense)

Seed SKU: 102010469



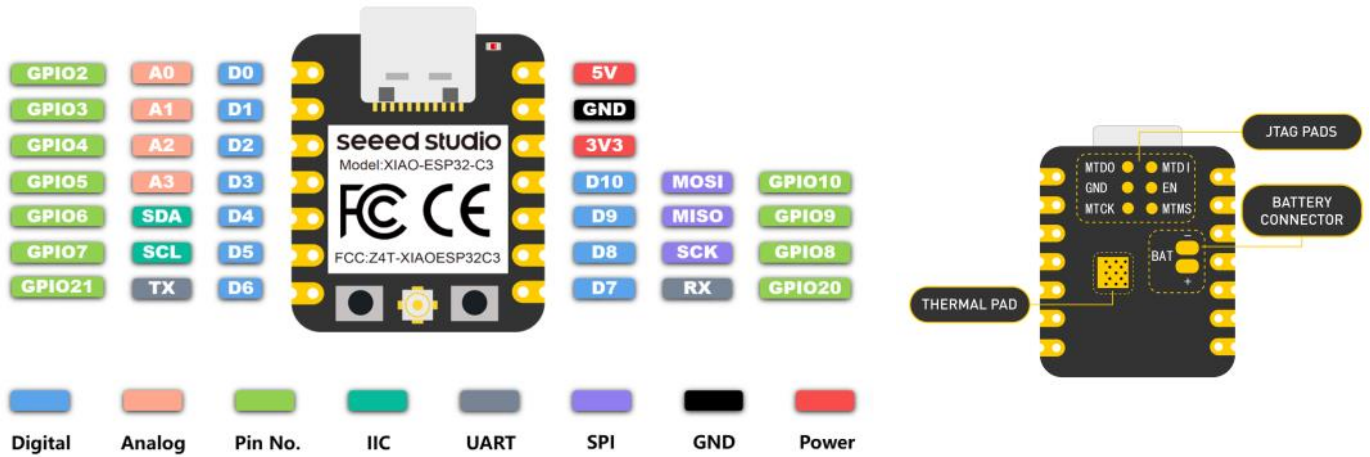
Recommended PCB land pattern



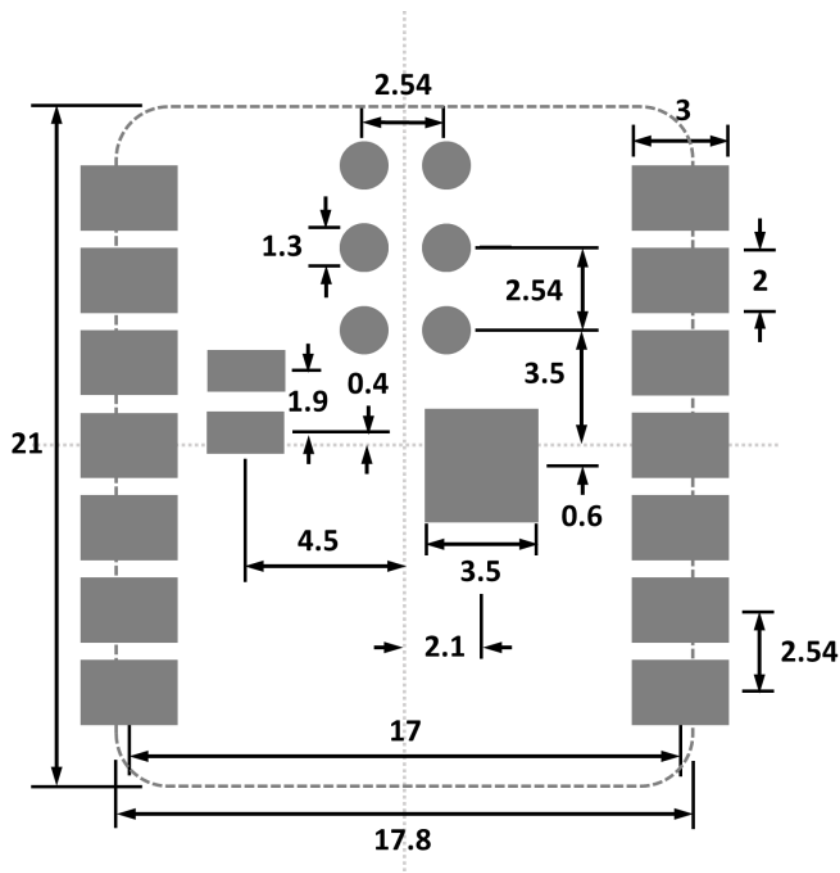
Dimensions in mm

Seed Studio XIAO ESP32C3 (previously named Seed XIAO WiFi/BLE - ESP32C3)

Seed SKU: 113991054



Recommended PCB land pattern

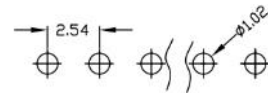
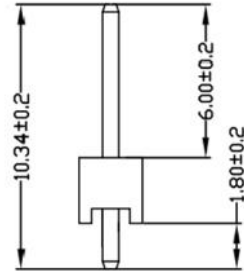


Dimensions in mm

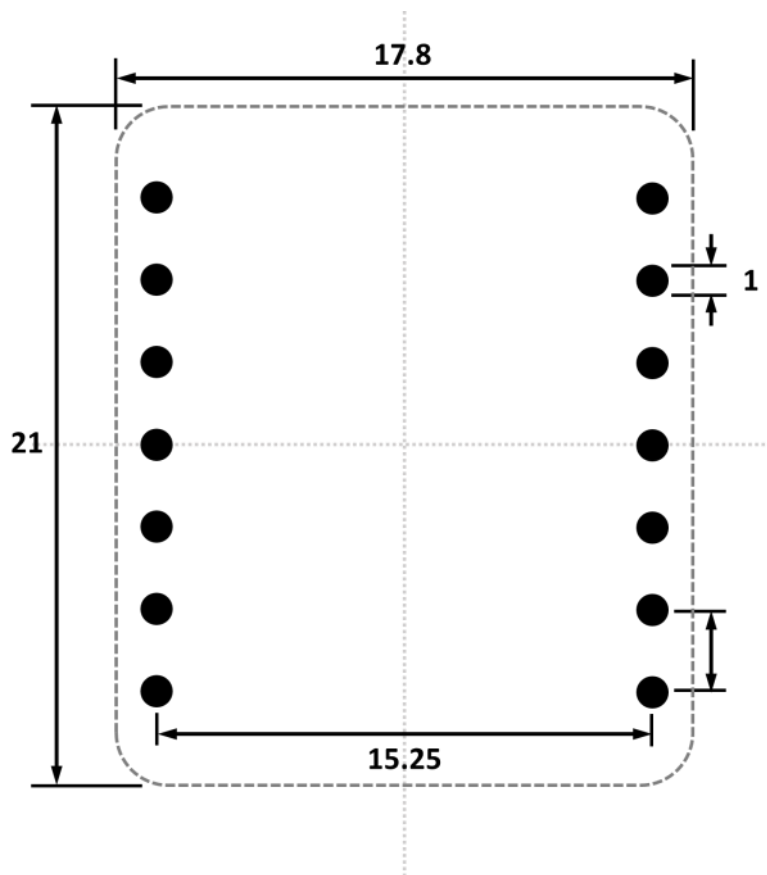
Seed Studio XIAO series through-hole footprint



7 pin header Seed SKU:
320020159



Recommended PCB land pattern



Dimensions in mm